

Disconnect switches and Rotary cam switches

sälzer

SWITCH TO  
**ORIGINAL**

Rotary cam switches

# INDIVIDUALITY – FOR ANY SIZE

Cam operated rotary switches are being used when main and auxiliary circuits have to be switched. Due to the cam switch principle, countless individual switching programmes are possible. Sälzer's cam switches are available for currents from 10 A to 315 A.



## Wide range of applications

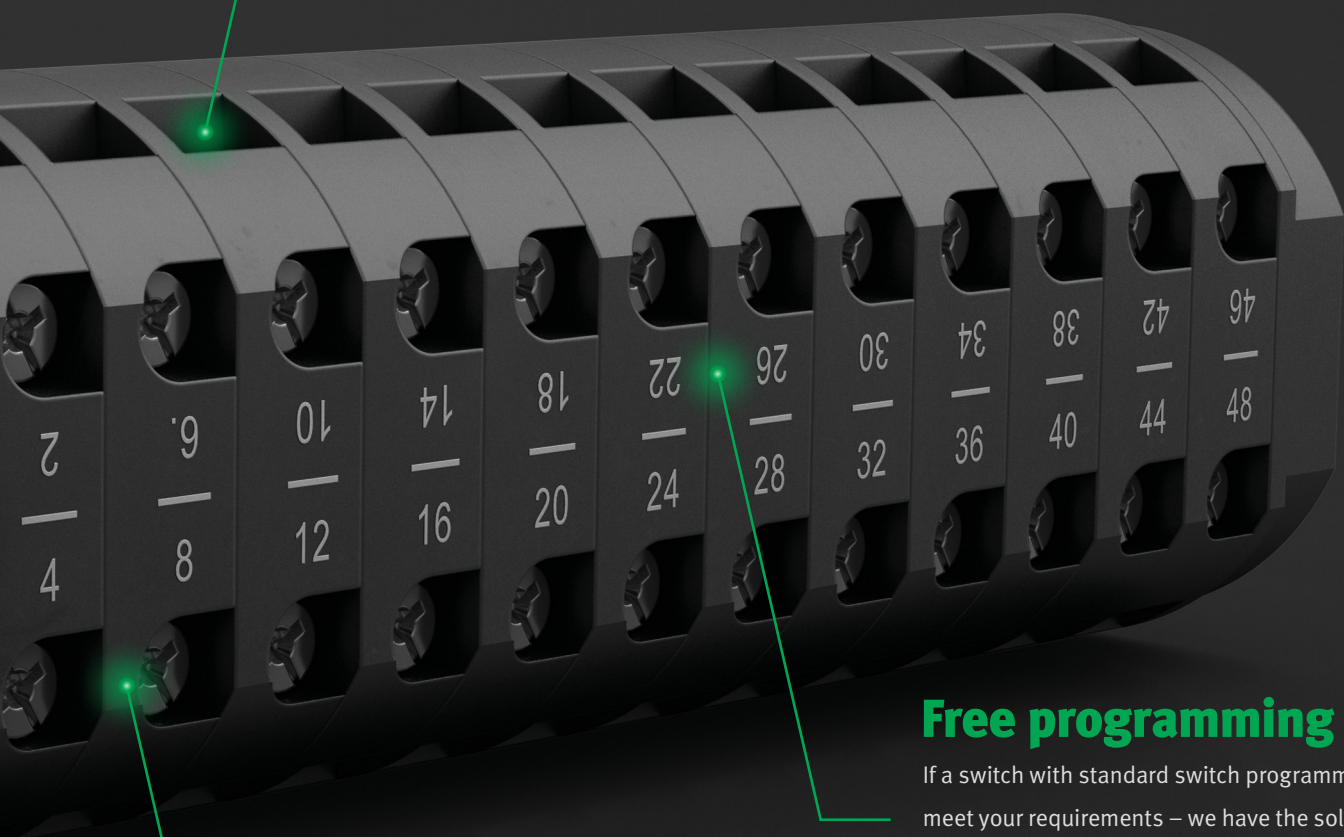
Cam switches from Sälzer cover many areas of application, for example changeover switches, level switches, instrumentation switches, code switches etc.



Find out more about our complete product portfolio at [www.saelzer.com](http://www.saelzer.com)

## Perfect Fit

Due to the variable components the switches can be flexibly adapted to various dimensions and structural requirements. That allows Sälzer to offer switch solutions where traditional standard solutions are not suitable.



## Free programming

If a switch with standard switch programme does not meet your requirements – we have the solution: our cam switches can individually be programmed, so that we can offer you the solution you have been looking for.

## Safety through mechanics

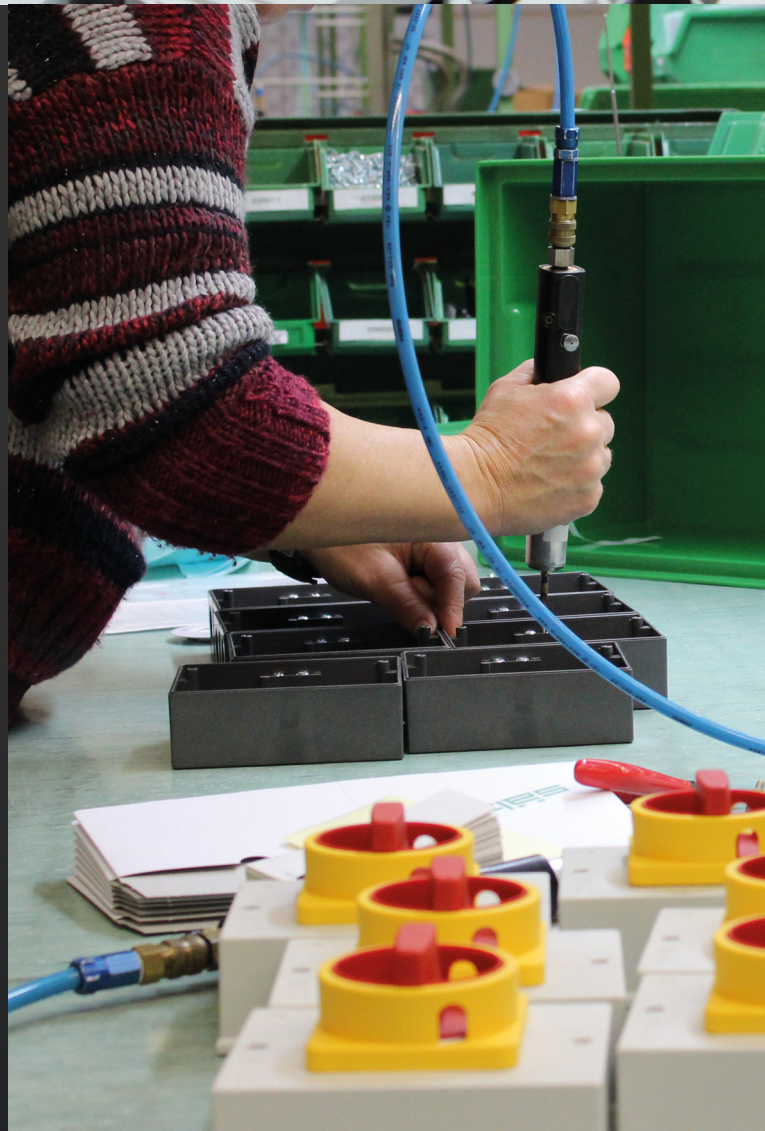
PLC-controlled systems are vulnerable to outside manipulations due to electronics and networking capability. Mechanically operated switches do not have this disadvantage – cyber attacks are not possible!



Finding the right switch

## **FLEXIBILITY & INDIVIDUALITY**

One question that always arises during development is: which switch is the right one? Reliability and robust design are mandatory. But sometimes standard solutions do not suffice to meet ones requirements. Thanks to the modular design, our switches are flexible in size and function. Our special strength is the development of individual solutions, tailored to your exact requirements.



Sälzer Modular Design

# FAST RESPONSE TIME

Sälzer Modular Design allows us to easily build a customer specific switch by using a basic switch, mounting form and operator module. That way we can prepare any type of switch for shipment within a short timeframe, no matter whether it is a standardized or customized solution.



Made in Germany

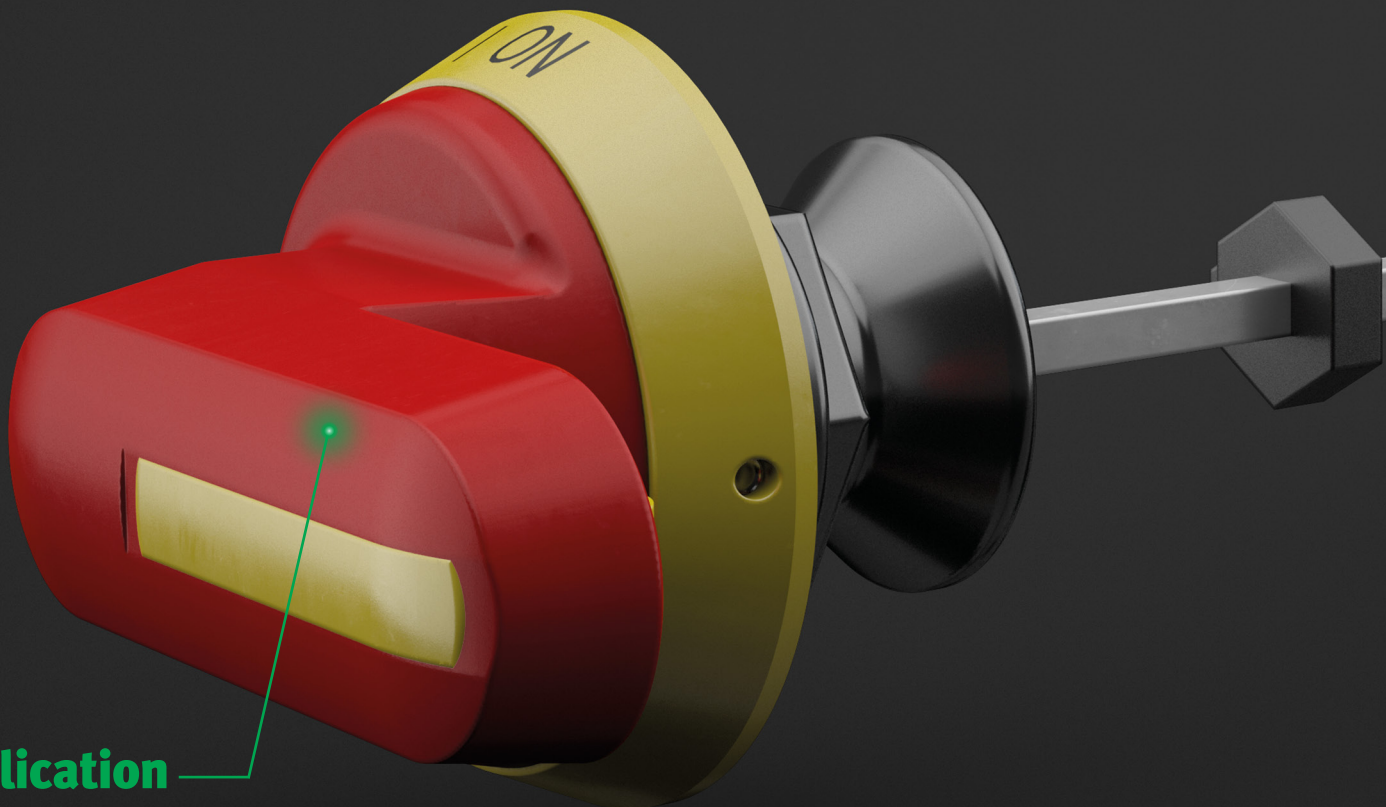
# SWITCH SOLUTIONS

Our first priority is the customer and his needs. In order to ensure the best quality, we develop and manufacture exclusively in Germany according to national and international standards. We are certified according to DIN EN ISO 9001, all production steps are in accordance with our quality management systems. This way you can count on our quality at any time.

Disconnect switches

# SAFE SWITCHING AND DISCONNECTING

Disconnect Switches from Sälzer work primarily as ON-OFF switches but also as change-over switches with OFF. Classic applications are for example main switches, emergency-off switches, repair switches and motor switches – basically wherever a main power circuit must be separated quickly and switched safely.



## Application Diversity

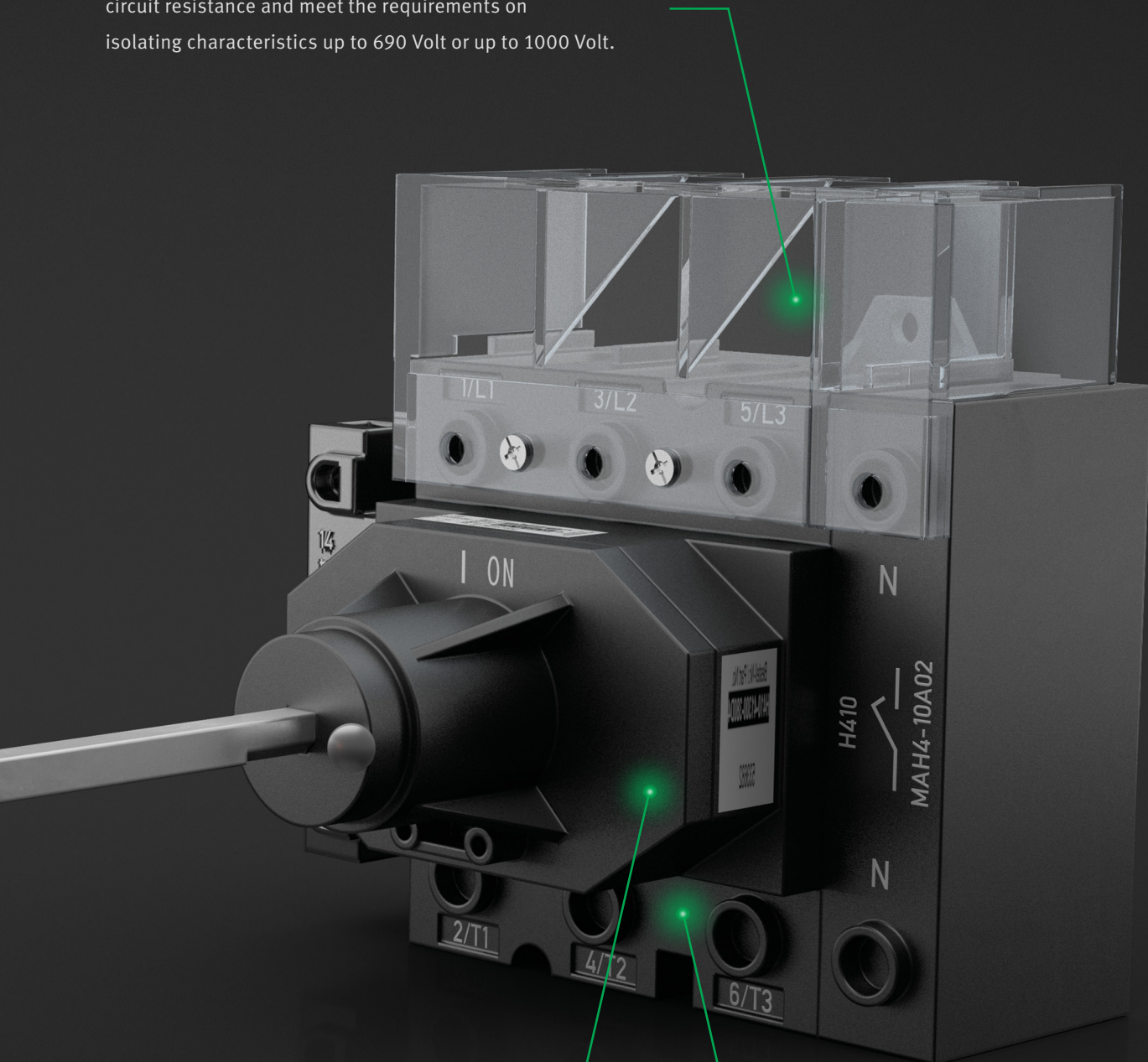
Our disconnect switches can be used in a wide range of applications: automation and control systems, machine and automotive applications, heating-, cooling- and HVAC technology, environmental technology and in other areas.

## Reliability and safety

Sälzer disconnect switches have forced open contacts, are finger-proof (protection class up to IP 20), have a high short-circuit resistance and meet the requirements on isolating characteristics up to 690 Volt or up to 1000 Volt.



Find out more about our complete product portfolio at [www.saelzer.com](http://www.saelzer.com)



## Wide variety of products

The large number of possible mounting forms (front mounting, base mounting as well as enclosed switches in insulated-, steel- or stainless steel enclosures) and many versions of operator modules in different forms and colours ensure a large variety of products, so that you will always find the right switch.

## Worldwide applicable

Sälzer stands for safety. Our products meet the common industry standards according to IEC und UL/CSA.

Salzer Electric GmbH  
Clemens-Pfau-Platz 27  
09306 Rochlitz (Germany)

Headquarters:

Tel. +49 (0) 37 37 / 87 280

Fax +49 (0) 37 37 / 87 246

[sales@salzer.de](mailto:sales@salzer.de)

[www.saelzer.com](http://www.saelzer.com)

Follow  
us on 