



**16A up to 63A DC/
250V up to 800V DC**

Section

Enclosed Switches	A
Base Mounting Switches	B

Sälzer Electric GmbH
Matthiasstraße 16
57482 Wenden (Germany)
www.saelzer.com

Headquarters:
Tel. +49 (0) 27 62 / 6 14-110
Fax +49 (0) 27 62 / 6 14-100
sales@salzer.de

Originator: Sälzer Electric GmbH · Product Data Management (PDM) · 09306 Rochlitz (Germany)
Copyright reserved by Sälzer Electric GmbH. This document replaces all previous issues.
Valid until a new version is published. Changes and revisions reserved.

Enclosed Switches

sälzer

Product line
H200-PV

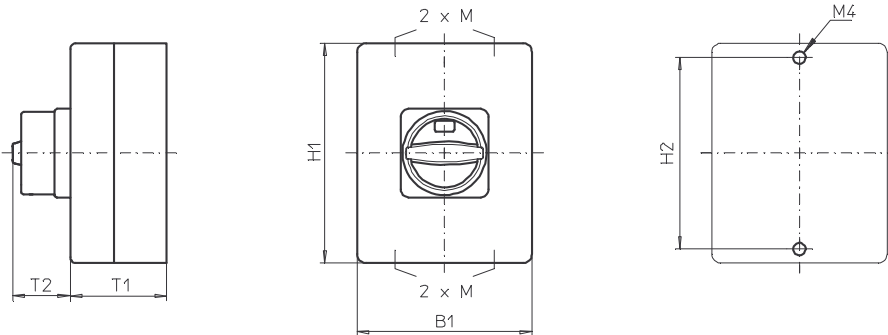
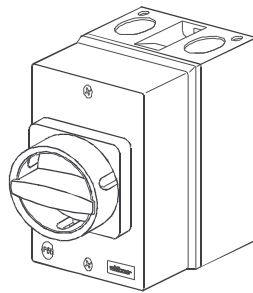
Enclosed switches

Insulated enclosures
175 x 115 x 100 mm

With cover interlock
in ON position

Cable entries
4 x M20/M25

710N1/N4
(IP66)



Basic switch and switching programmes

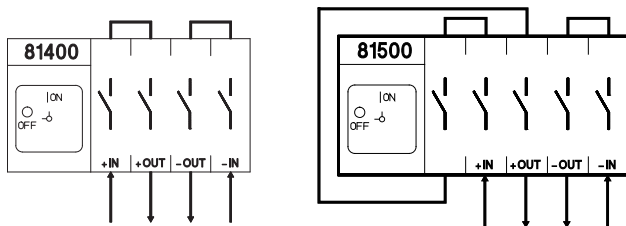
Poles Contacts

Rated data (IEC 60947)

Operational current I_e	Operational power U_e
DC-21B	DC-21B
A	V

Complete switch Order code number

H226-81400-A02	2 poles / 4 contacts	32 20 16	250 450 500	H226 - 81400 - 710N1/N4
H233-81400-A02	2 poles / 4 contacts	20	500	H233 - 81400 - 710N1/N4
H233-81500-A02	2 poles / 5 contacts	25	450	H233 - 81500 - 710N1/N4



SMD modules for basic switch module A02

Mounting form module for 710N1/N4

H200-PV

BFA2 - E7

Enclosure module, mounting form 710N1/N4

H200-PV

PAH2 - 710N1/N4/PV

Dimensions (mm)

Product line	H1	B1	T1	T2	2xM	H2
H200-PV	175	115	100	33	20/25	165

Enclosed Switches

sälzer

**Product line
B200-PV**

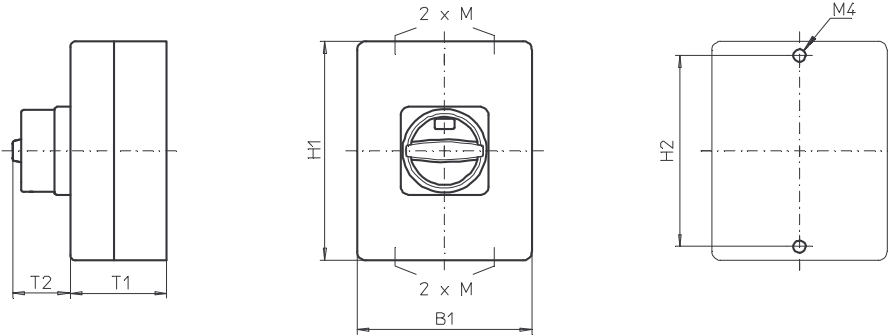
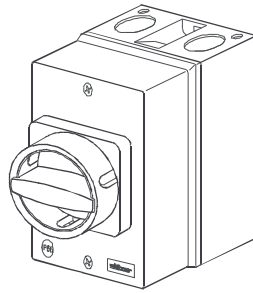
Enclosed switches

Insulated enclosures
175 x 115 x 100 mm

With cover interlock
in ON position

Cable entries
4 x M20/M25

**710N1/N4
(IP66)**



**Basic switch and
switching programmes**

**Poles
Contacts**

Rated data (IEC 60947)

Operational
current I_e
DC-21B
A

Operational
power U_e
DC-21B
V

**Complete switch
Order code number**

B250-81400-A02

2 poles / 4 contacts

32

450

B250 - 81400 - 710N1/N4

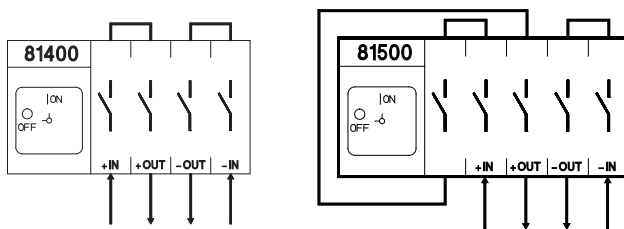
B250-81500-A02

2 poles / 5 contacts

25

500

B250 - 81500 - 710N1/N4



SMD modules for basic switch module A02

Mounting form module for 710N1/N4

B200-PV

BFB2 - E7

Enclosure module, mounting form 710N1/N4

B200-PV

PAH2 - 710N1/N4/PV

Dimensions (mm)

Product line	H1	B1	T1	T2	2xM	H2
H200-PV	175	115	100	33	20/25	165

Enclosed Switches

sälzer

Product line
H200-PV

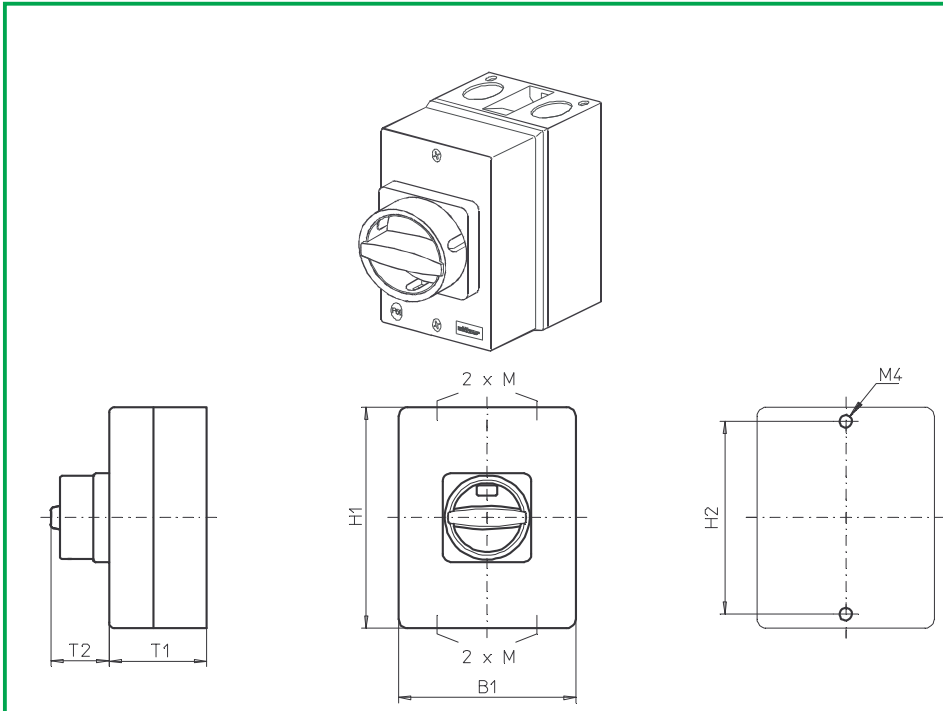
Enclosed switches

Insulated enclosures
175 x 115 x 100 mm

With cover interlock
in ON position

Cable entries
4 x M20/M25

720N1/N4
(IP66)



Basic switch and switching programmes

Poles Contacts

Rated data (IEC 60947)

Complete switch Order code number

Operational current I_e	Operational power U_e
DC-21B A	DC-21B V

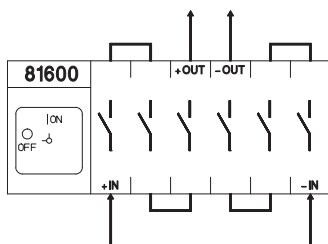
H226D81600-A02
H226-81600-A02

2 poles / 6 contacts
2 poles / 6 contacts

16
20

650
650

H226D81600 - 720N1/N4
H226 - 81600 - 720N1/N4



SMD modules for basic switch module A02

Mounting form module for 720N1/N4

H200-PV

BFB2 - E7

Enclosure module, mounting form 720N1/N4

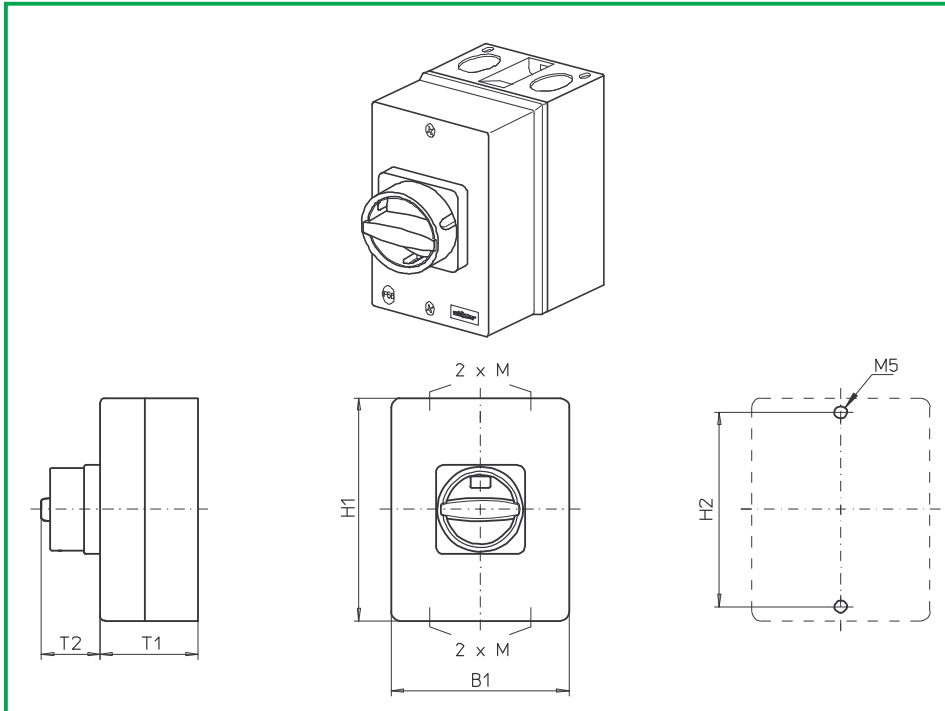
H200-PV

PAH2 - 720N1/N4/PV

Dimensions (mm)

Product line	H1	B1	T1	T2	2xM	H2
H200-PV	175	115	100	33	20/25	165

Enclosed Switches



Product line
B200-PV

Enclosed switches

Insulated enclosures

250 x 160 x 120 mm

With cover interlock
in ON position

with one PE connection link
without N connection link

Cable entries

4 x M25/ M32

761N1/N4
(IP66)

**Basic switch and
switching programmes**

**Poles
Contacts**

Rated data (IEC 60947)

Operational
current I_e

DC-21B

A

Operational
power U_e

DC-21B

V

**Complete switch
Order code number**

B240-81600-A02

2 poles / 6 contacts

25

650

B240 - 81600 - 761N1/N4

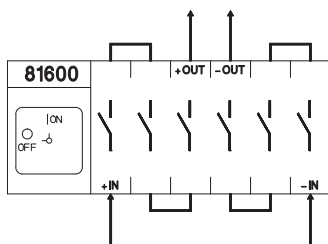
B250-81600-A02

2 poles / 6 contacts

32

500

B250 - 81600 - 761N1/N4



SMD modules for basic switch module A02

Mounting form module for 761N1/N4

B200-PV

BFG2 - ED

Enclosure module, mounting form 761N1/N4

B200-PV

PAB2 - 761N1/N4/PV

Dimensions (mm)

Product line	H1	B1	T1	T2	2xM	H2
H200-PV	250	160	120	45	25/32	235

Enclosed Switches

sälzer

Product line
H200-PV

Enclosed switches

Insulated enclosures

250 x 160 x 120 mm

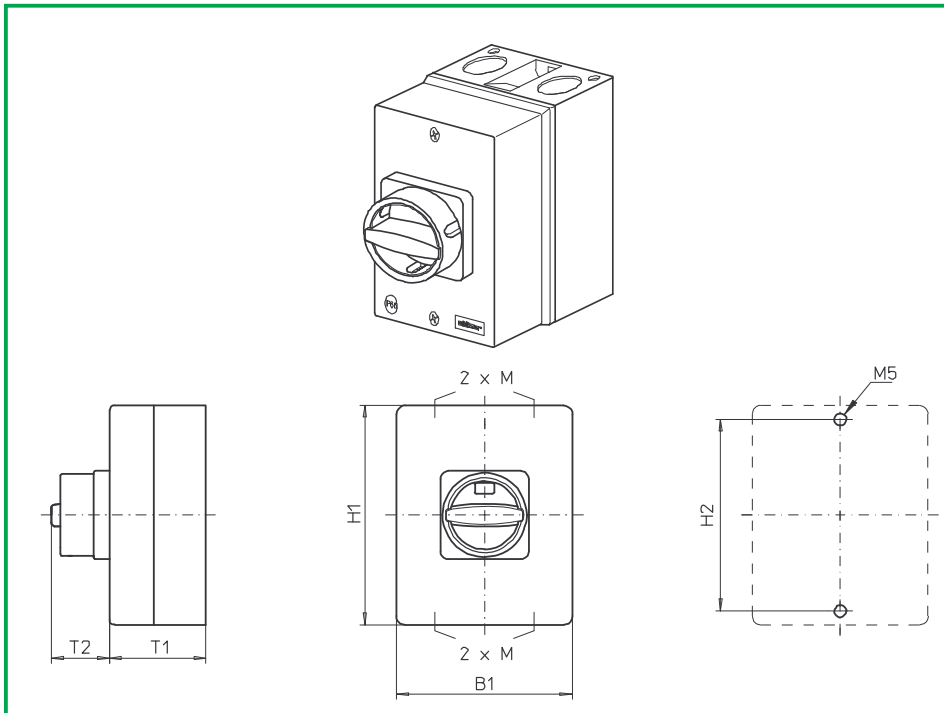
With cover interlock
in ON position

with one PE connection link
without N connection link

Cable entries

4 x M25/ M32

761N1/N4
(IP66)



**Basic switch and
switching programmes**

**Poles
Contacts**

Rated data (IEC 60947)

Operational current I_e	Operational power U_e
DC-21B A	DC-21B V

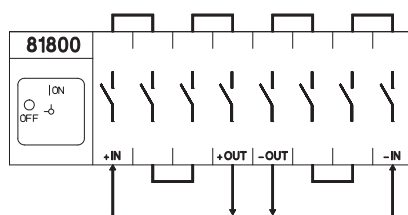
**Complete switch
Order code number**

H226D81800-A02
H226-81800-A02

2 poles / 8 contacts
2 poles / 8 contacts

12 800
20 800

H226D81800 - 761N1/N4
H226 - 81800 - 761N1/N4



SMD modules for basic switch module A02

Mounting form module for 761N1/N4

H200-PV

BFC2 - ED

Enclosure module, mounting form 761N1/N4

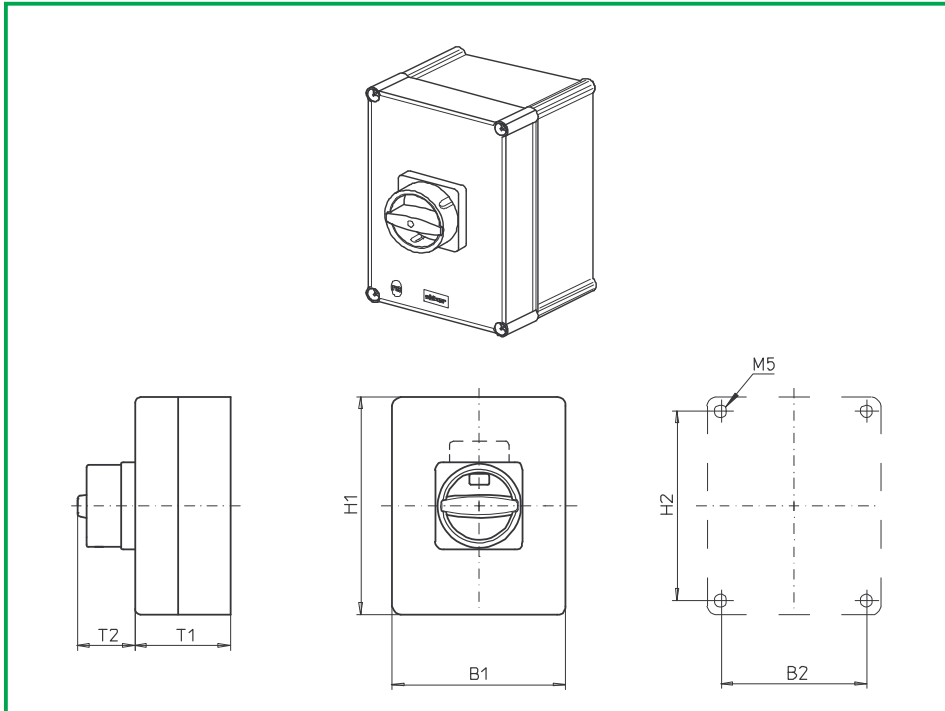
H200-PV

PAH2 - 761N1/N4/PV

Dimensions (mm)

Product line	H1	B1	T1	T2	2xM	H2
H200-PV	250	160	120	45	25/32	235

Enclosed Switches



Product line
B200-PV

Enclosed switches

Insulated enclosures

280 x 190 x 130 mm

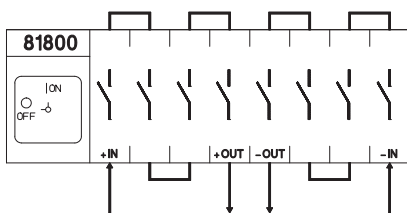
With cover interlock
in ON position

with one PE terminal
without N terminal

Cable entries
ohne

740N1/N4
(IP66)

Basic switch and switching programmes	Poles Contacts	Rated data (IEC 60947)		Complete switch Order code number
		Operational current I_e	Operational power U_e	
B240-81800-A02	2 poles / 8 contacts	25 A	800 V	B240 - 81800 - 740N1/N4
B250-81800-A02	2 poles / 8 contacts	32 A	800 V	B250 - 81800 - 740N1/N4



SMD modules for basic switch module A02	Product line	Order code number
Mounting form module for 740N1/N4	B200-PV	BFB2 - E6
Enclosure module, mounting form 740N1/N4	B200-PV	PAB2 - 740N1/N4/PV

Remark to mounting form:
Terminal capacity max. 16 mm² on PE terminals

Dimensions (mm)						
Product line	H1	B1	T1	T2	H2	B2
B200-PV	280	190	130	45	254	164

Enclosed Switches

sälzer

Product line
H400-PV

Enclosed switches

Insulated enclosures

320 x 220 x 180 mm

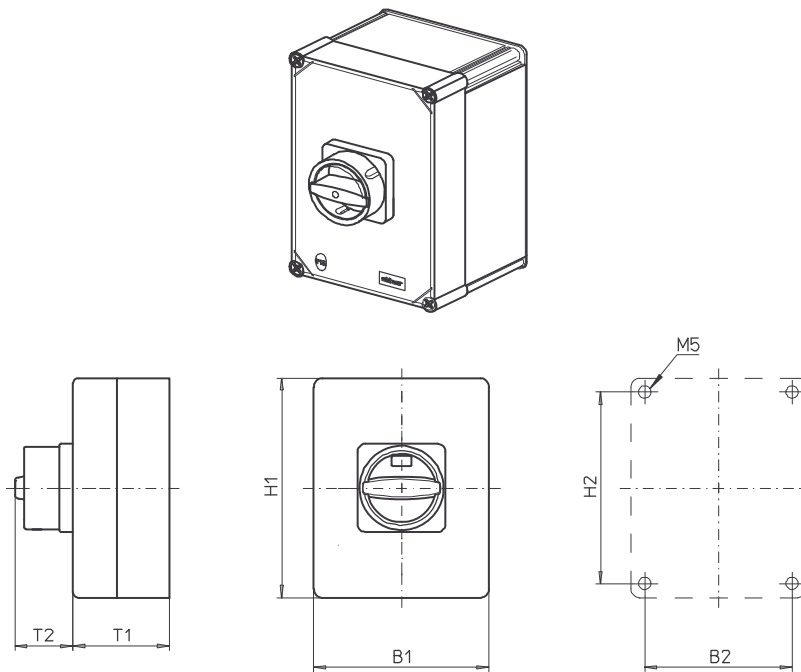
With cover interlock
in ON position

with one PE terminal
without N terminal

Cable entries

Gland plates

977N1/N4
(IP66)



Basic switch and switching programmes

Poles Contacts

Rated data (IEC 60947)

Operational current I_e	Operational power U_e
DC-21B A	DC-21B V

Complete switch Order code number

H408-81700-A02

2 poles / 7 contacts

63

650

H408 - 81700 - 977N1/N4

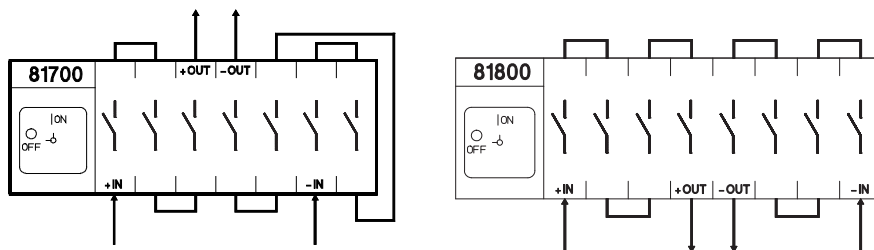
H408-81800-A02

2 poles / 8 contacts

50

800

H408 - 81800 - 977N1/N4



SMD modules for basic switch module A02

Mounting form module for 977N1/N4

H400-PV

BFB4 - ED

Enclosure module, mounting form 977N1/N4

H400-PV

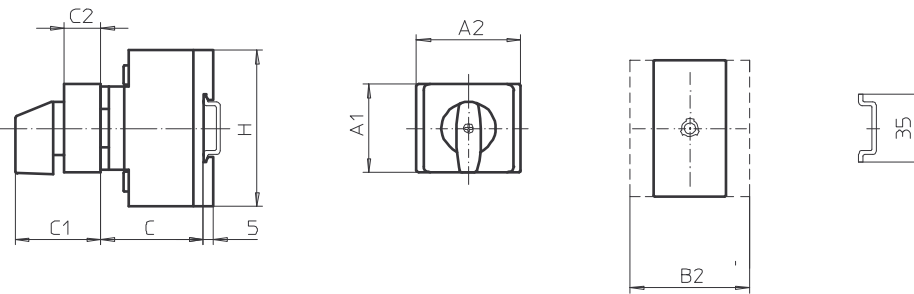
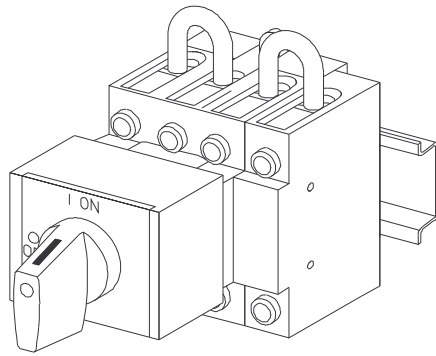
PAH4 - 977N1/N4/PV

Dimensions (mm)

Product line	H1	B1	T1	T2	H2	B2
H400-PV	320	220	180	45	293	193

Base Mounting Switches

sälzer



**Product line
H200-PV**

**Base mounting switch
Base/front mounting**

**DIN rail
with cover plate
45 mm aperture**

026M1

Basic switch and switching programmes

**Poles
Contacts**

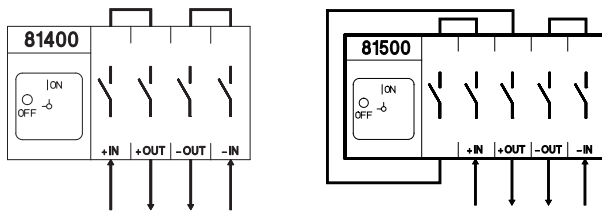
Rated data (IEC 60947)

**Complete switch
Order code number**

Operational current I_e
DC-21B
A

Operational power U_e
DC-21B
V

H226-81400-A02	2 poles / 4 contacts	32 20 16	250 450 500	H226 - 81400 - 026M1
H233-81400-A02	2 poles / 4 contacts	20	500	H233 - 81400 - 026M1
H233-81500-A02	2 poles / 5 contacts	25	450	H233 - 81500 - 026M1



SMD modules for basic switch module A02

Mounting form/operator module grey with M-handle black,
mounting form 026M1

H200-PV

BFA2 - 026M1

Legend plate silver, mounting form 026M1

H200-PV

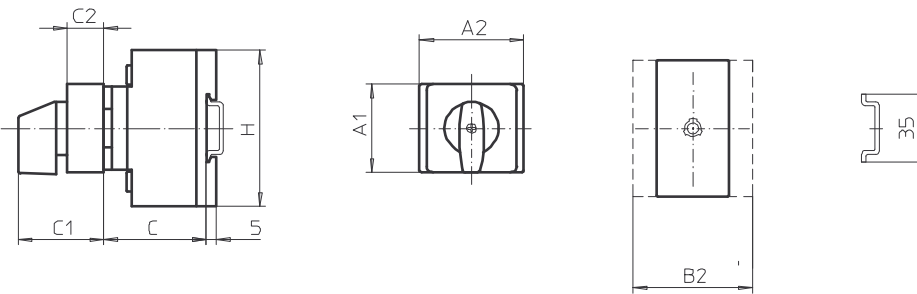
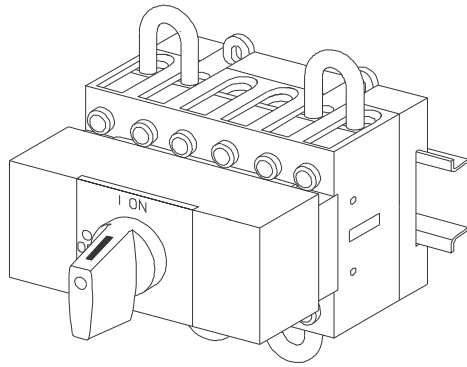
FAV2 - 9... (FA number)

Dimensions (mm)

Product lines	A1	A2	B2	C	C1	C2	H
H200-PV	45	48	60	38	45	18,5	70

Base Mounting Switches

sälzer



Product line
H200-PV

Base mounting switch
Base/front mounting

DIN rail
with cover plate
45 mm aperture

026M1

Basic switch and switching programmes

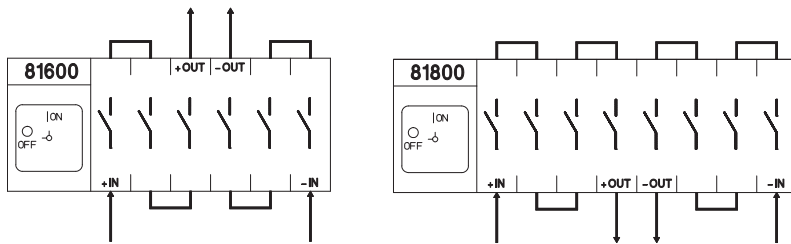
Poles Contacts

Rated data (IEC 60947)

Complete switch Order code number

Operational current I_e Operational power U_e
DC-21B DC-21B
A V

H226D81600-A02	2 poles / 6 contacts	16	650	H226D81600 - 026M1
H226-81600-A02	2 poles / 6 contacts	20	650	H226 - 81600 - 026M1
H226D81800-A02	2 poles / 8 contacts	12	800	H226D81800 - 026M1
H226-81800-A02	2 poles / 8 contacts	20	800	H226 - 81800 - 026M1



SMD modules for basic switch module A02

Mounting form/operator module grey with M-handle black, mounting form 026M1

H200-PV

BFD2 - 026M1

Legend plate silver, mounting form 026M1

H200-PV

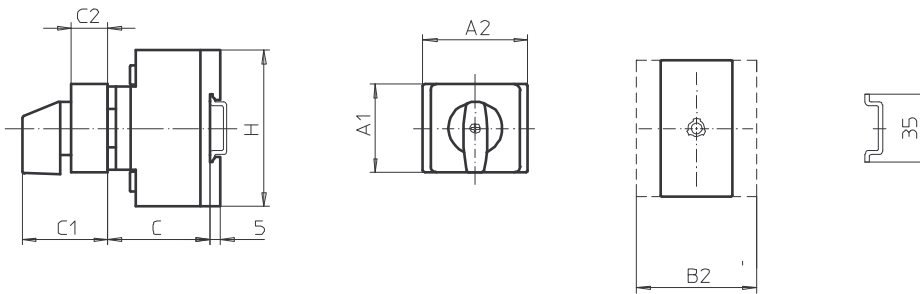
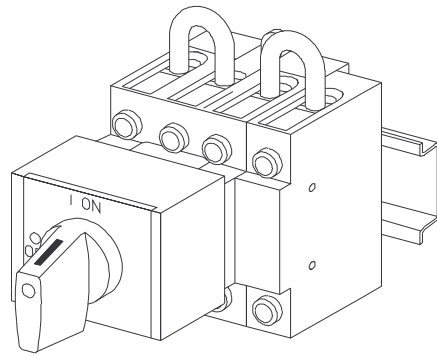
FAV2 - 9... (FA number)

Dimensions (mm)

Product lines	A1	A2	B2	C	C1	C2	H
H200-PV	45	76	96	40	51,5	25,5	70

Base Mounting Switches

sälzer



Product line
B200-PV

Base mounting switch
Base/front mounting

DIN rail
with cover plate
45 mm aperture

026M1

Basic switch and switching programmes

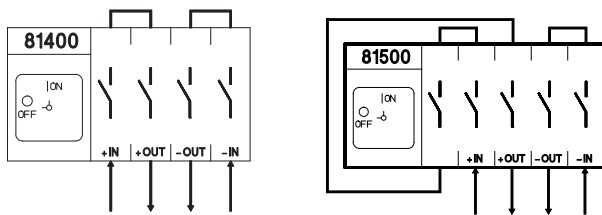
Poles Contacts

Rated data (IEC 60947)

Operational current I_e	Operational power U_e
DC-21B A	DC-21B V

Complete switch Order code number

B250-81400-A02	2 poles / 4 contacts	32	450	B250 - 81400 - 026M1
B250-81500-A02	2 poles / 5 contacts	25	500	B250 - 81500 - 026M1



SMD modules for basic switch module A02

Mounting form/operator module grey with M-handle black, mounting form 026M1

B200-PV

BFB2 - 026M1

Legend plate silver, mounting form 026M1

B200-PV

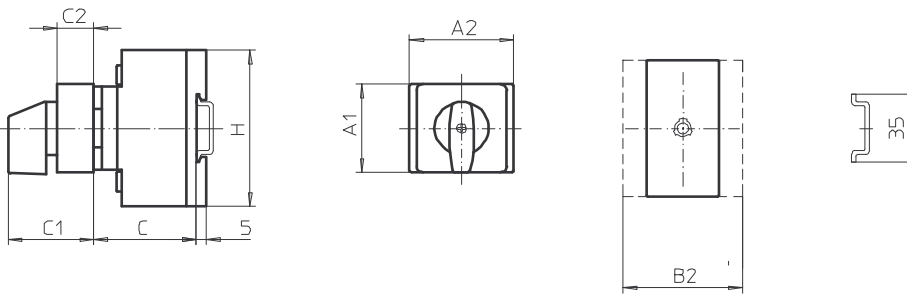
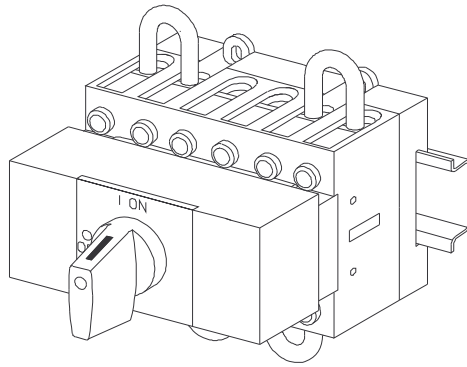
FAV2 - 9... (FA numberr)

Dimensions (mm)

Product lines	A1	A2	B2	C	C1	C2	H
B200-PV	45	52,5	88	38	45	18,5	72

Base Mounting Switches

sälzer



**Product line
B200-PV**

**Base mounting switch
Base/front mounting**

**DIN rail
with cover plate
45 mm aperture**

026M1

Basic switch and switching programmes

**Poles
Contacts**

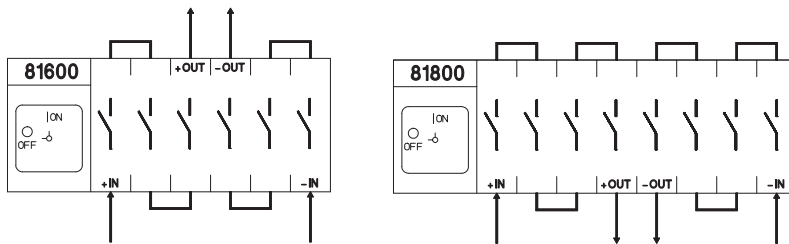
Rated data (IEC 60947)

**Complete switch
Order code number**

Operational current I_e
DC-21B
A

Operational power U_e
DC-21B
V

B240-81600-A02	2 poles / 6 contacts	32	500	B240 - 81600 - 026M1
B250-81600-A02	2 poles / 6 contacts	25	650	B250 - 81600 - 026M1
B240-81800-A02	2 poles / 8 contacts	32	650	B240 - 81800 - 026M1
B250-81800-A02	2 poles / 8 contacts	25	800	B250 - 81800 - 026M1



SMD modules for basic switch module A02

Mounting form/operator module grey with M-handle black, mounting form 026M1

B200-PV

BFF2 - 026M1

Legend plate silver, mounting form 026M1

B200-PV

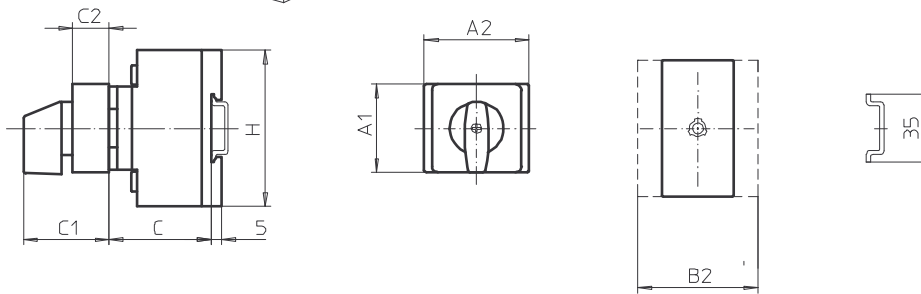
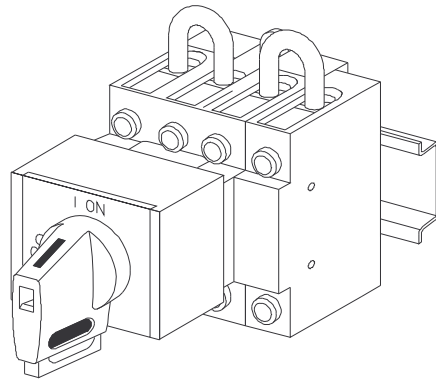
FAV2 - 9... (FA number)

Dimensions (mm)

Product lines	A1	A2	B2	C	C1	C2	H
B200-PV	45	76	96	40	51,5	25,5	70

Base Mounting Switches

sälzer



Product line
H200-PV

Base mounting switch
Base/front mounting

DIN rail
with cover plate
45 mm aperture

026V1

Basic switch and switching programmes

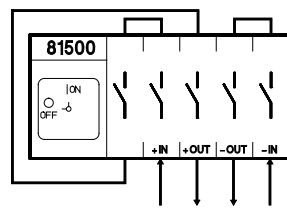
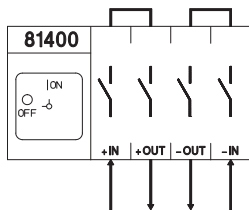
Poles Contacts

Rated data (IEC 60947)

Complete switch Order code number

Operational current I_e Operational power U_e
DC-21B DC-21B
A V

H226-81400-A02	2 poles / 4 contacts	32 20 16	250 450 500	H226 - 81400 - 026V1
H233-81400-A02	2 poles / 4 contacts	20	500	H233 - 81400 - 026V1
H233-81500-A02	2 poles / 5 contacts	25	450	H233 - 81500 - 026V1



SMD modules for basic switch module A02

Mounting form/operator module grey with V-handle black, mounting form 026V1

H200-PV

BFA2 - 026V1

Legend plate silver, mounting form 026V1

H200-PV

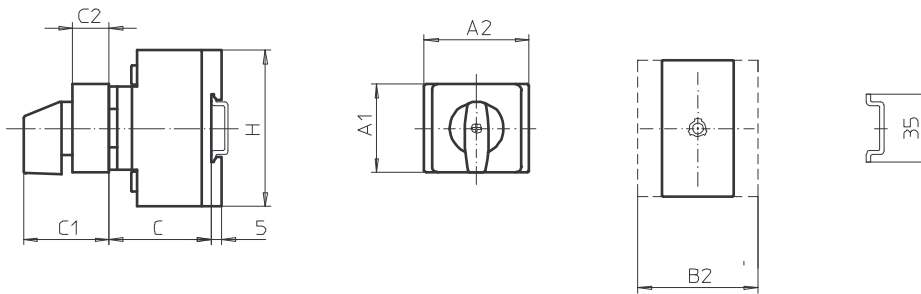
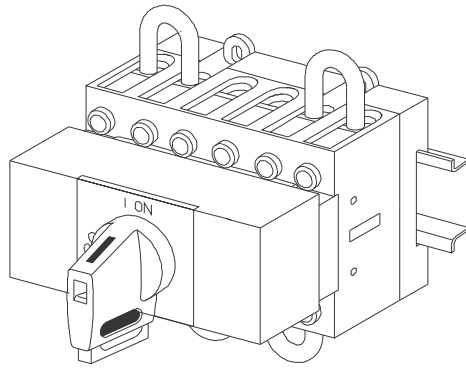
FAV2 - 9... (FA number)

Dimensions (mm)

Product lines	A1	A2	B2	C	C1	C2	H
H200-PV	45	48	60	38	45	18,5	70

Base Mounting Switches

sälzer



Product line
H200-PV

Base mounting switch
Base/front mounting

DIN rail
with cover plate
45 mm aperture

026V1

Basic switch and switching programmes

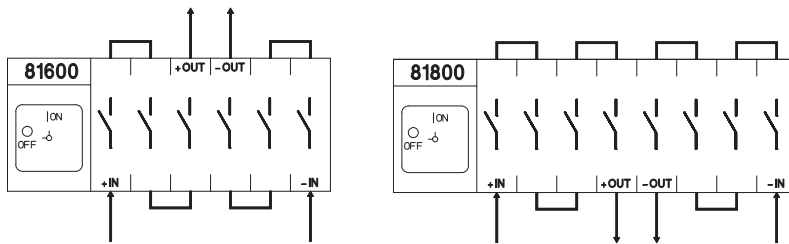
Poles Contacts

Rated data (IEC 60947)

Complete switch Order code number

Operational current I_e Operational power U_e
DC-21B DC-21B
A V

H226D81600-A02	2 poles / 6 contacts	16	650	H226D81600 - 026V1
H226-81600-A02	2 poles / 6 contacts	20	650	H226 - 81600 - 026V1
H226-81800-A02	2 poles / 8 contacts	12	800	H226D81800 - 026V1
H226-81800-A02	2 poles / 8 contacts	20	800	H226 - 81800 - 026V1



SMD modules for basic switch module A02

Mounting form/operator module grey with V-handle black, mounting form 026V1

H200-PV

BFD2 - 026V1

Legend plate silver, mounting form 026V1

H200-PV

FAV2 - 9... (FA- number)

Dimensions (mm)

Product lines	A1	A2	B2	C	C1	C2	H
H200-PV	45	76	96	40	51,5	25,5	70

Base Mounting Switches

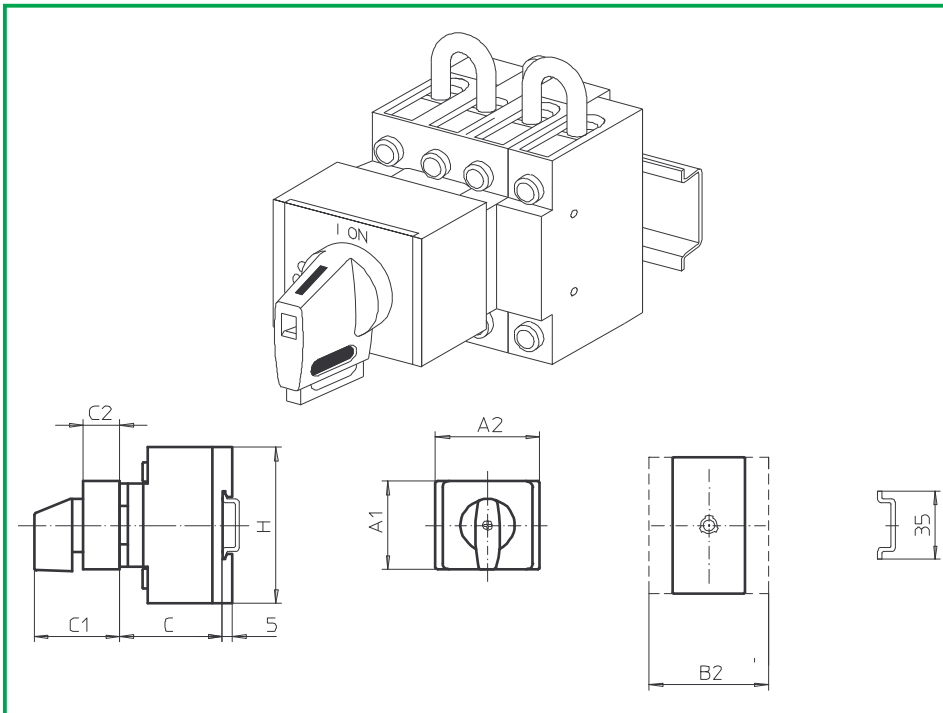
sälzer

**Product line
B200-PV**

**Base mounting switch
Base/front mounting**

**DIN rail
with cover plate
45 mm aperture**

026V1



Basic switch and switching programmes

Poles Contacts

Rated data (IEC 60947)

Complete switch Order code number

Operational current I_e
DC-21B
A

Operational power U_e
DC-21B
V

B250-81400-A02

2 poles / 4 contacts

32

450

B250 - 81400 - 026V1

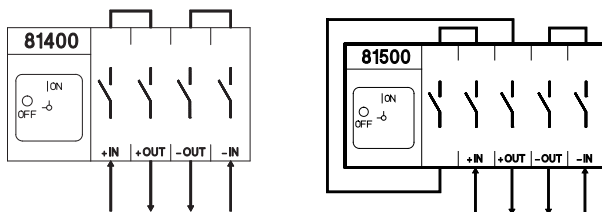
B250-81500-A02

2 poles / 5 contacts

25

500

B250 - 81500 - 026V1



SMD modules for basic switch module A02

Mounting form/operator module grey with V-handle black, mounting form 026V1

B200-PV

BFB2 - 026V1

Legend plate silver, mounting form 026V1

B200-PV

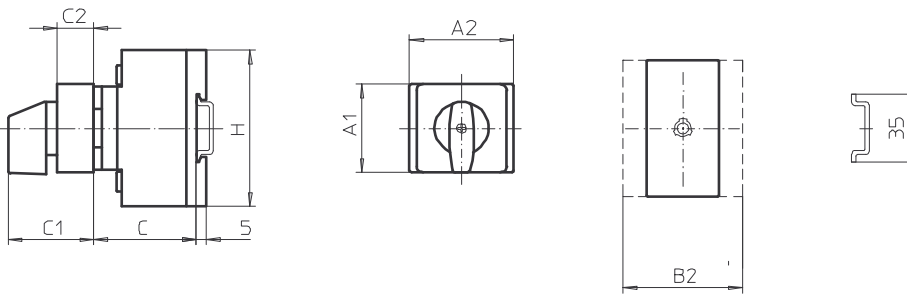
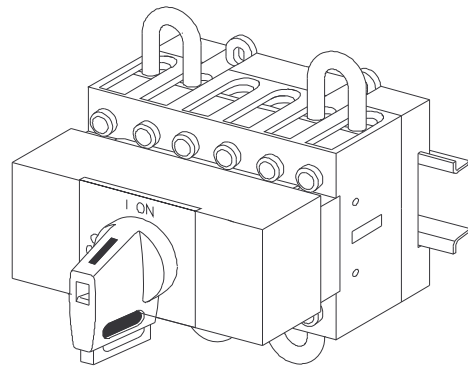
FAV2 - 9... (FA- number)

Dimensions (mm)

Product lines	A1	A2	B2	C	C1	C2	H
B200-PV	45	52,5	88	38	45	18,5	72

Base Mounting Switches

sälzer



**Product line
B200-PV**

**Base mounting switch
Base/front mounting**

**DIN rail
with cover plate
45 mm aperture**

026V1

Basic switch and switching programmes

Poles Contacts

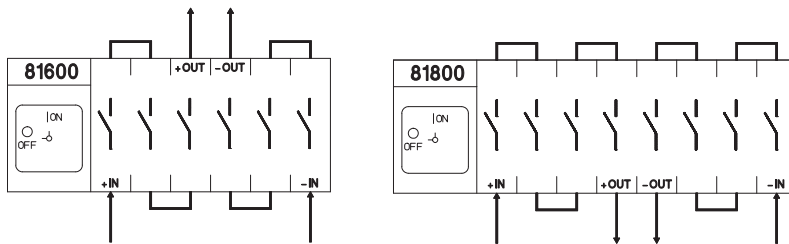
Rated data (IEC 60947)

Complete switch Order code number

Operational current I_e
DC-21B
A

Operational power U_e
DC-21B
V

B240-81600-A02	2 poles / 6 contacts	32	500	B240 - 81600 - 026V1
B250-81600-A02	2 poles / 6 contacts	25	650	B250 - 81600 - 026V1
B240-81800-A02	2 poles / 8 contacts	32	650	B240 - 81800 - 026V1
B250-81800-A02	2 poles / 8 contacts	25	800	B250 - 81800 - 026V1



SMD modules for basic switch module A02

Mounting form/operator module grey with V-handle black,
mounting form 026V1

B200-PV

BFF2 - 026V1

Legend plate silver, mounting form 026V1

B200-PV

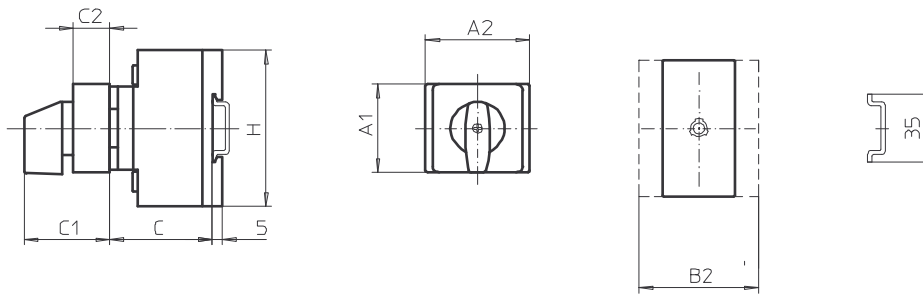
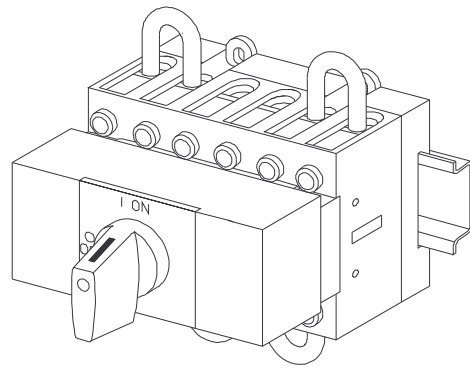
FAV2 - 9... (FA number)

Dimensions (mm)

Product lines	A1	A2	B2	C	C1	C2	H
B200-PV	45	76	96	40	51,5	25,5	70

Base Mounting Switches

sälzer



**Product line
H400-PV**

**Base mounting switch
Base/front mounting**

**DIN rail
with cover plate
45 mm aperture**

126M1

Basic switch and switching programmes

Poles Contacts

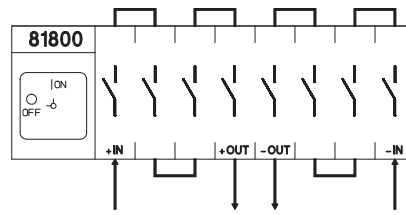
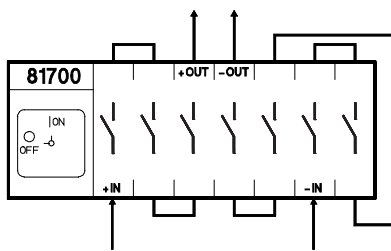
Rated data (IEC 60947)

Complete switch Order code number

Operational current I_e
DC-21B
A

Operational power U_e
DC-21B
V

H408-81700-A02	2 poles / 7 contacts	63	650	H408 - 81700 - 126M1
H408-81800-A02	2 poles / 8 contacts	50	800	H408 - 81800 - 126M1



SMD modules for basic switch module A02

Mounting form/operator module grey with M-handle black, mounting form 126M1

H400-PV

BFA4 - 126M1

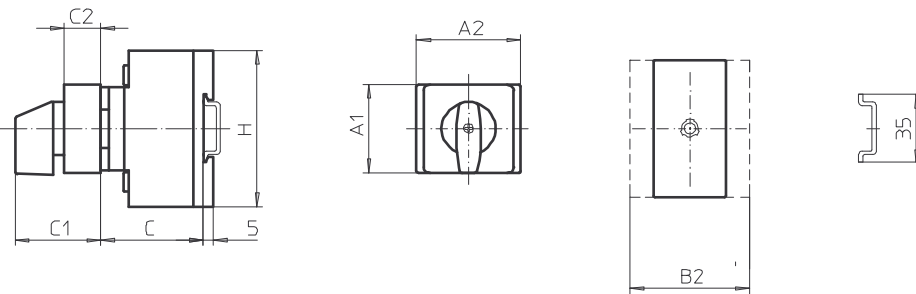
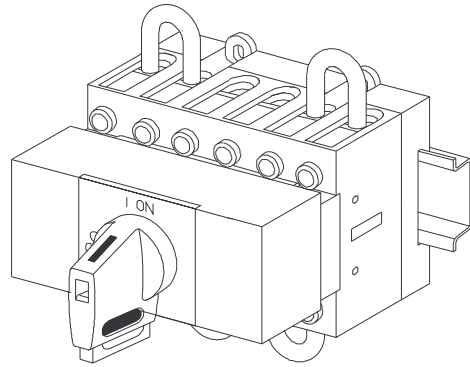


Dimensions (mm)

Product lines	A1	A2	B2	C	C1	C2	H
H400-PV	45	72	178	67	48	16	80

Base Mounting Switches

sälzer



Product line
H400-PV

Base mounting switch
Base/front mounting

DIN rail
with cover plate
45 mm aperture

126V1

Basic switch and switching programmes

Poles Contacts

Rated data (IEC 60947)

Complete switch Order code number

Operational current I_e Operational power U_e
DC-21B DC-21B
A V

H408-81700-A02

2 poles / 7 contacts

63

650

H408 - 81700 - 126V1

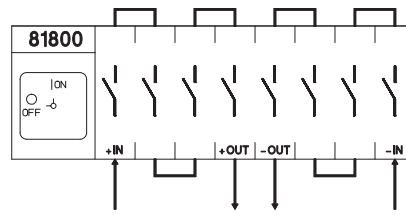
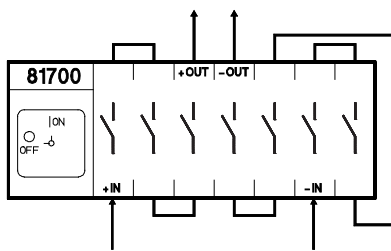
H408-81800-A02

2 poles / 8 contacts

50

800

H408 - 81800 - 126V1



SMD modules for basic switch module A02

Mounting form/operator module grey with V-handle black, mounting form 126V1

H400-PV

BFA4 - 126V1



Dimensions (mm)

Product lines	A1	A2	B2	C	C1	C2	H
H400-D	45	72	178	67	48	16	80